

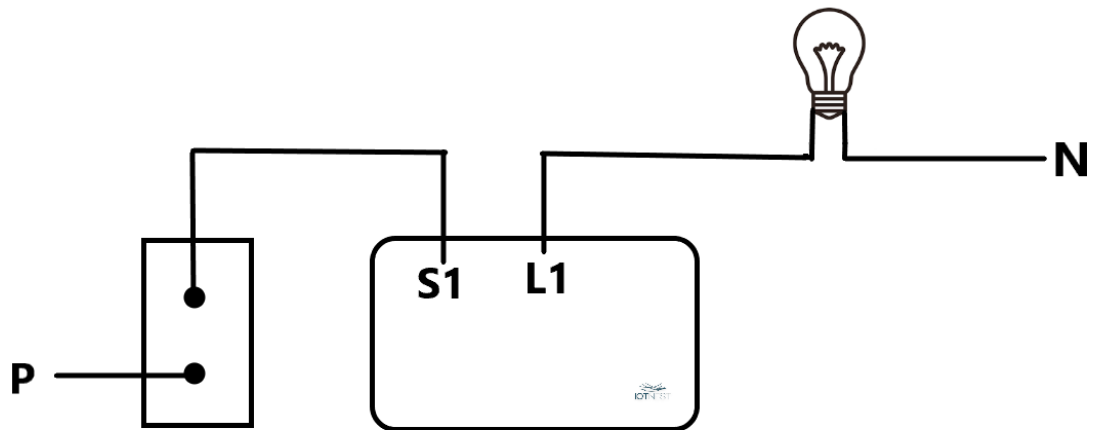
User Manual for IOT NEST

HOLA!

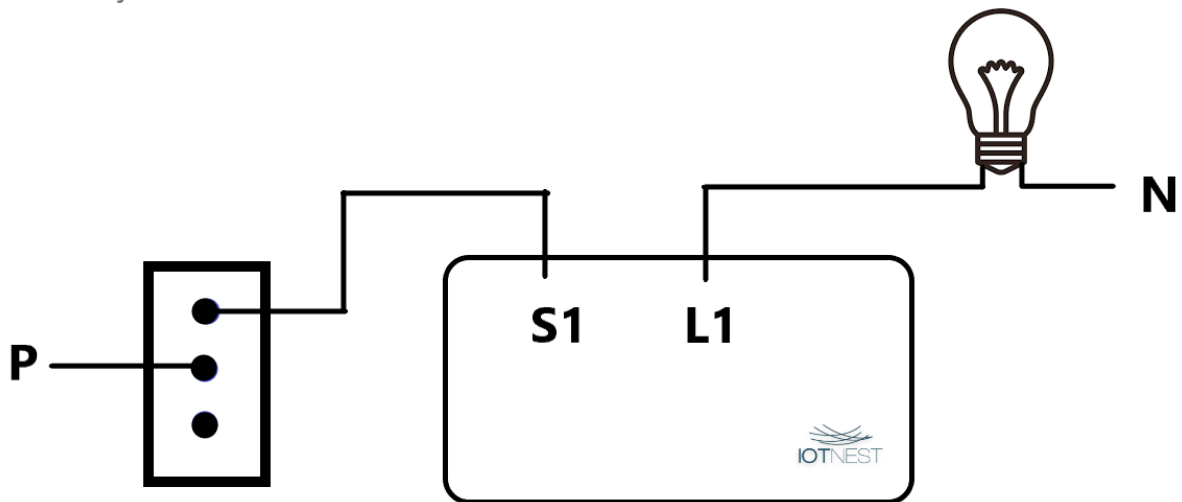
Welcome to the IOTNEST family. This smart WiFi based retrofitable device helps you to control and check the status of your appliances connected to it. The user manual will guide you through the device installation and configuration of the IOTNEST app.

Installing the Device

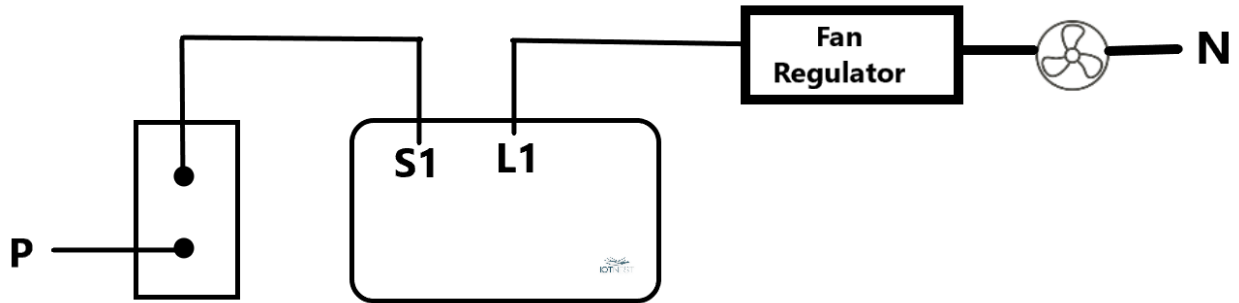
- Normal Switch



- 2-way switch

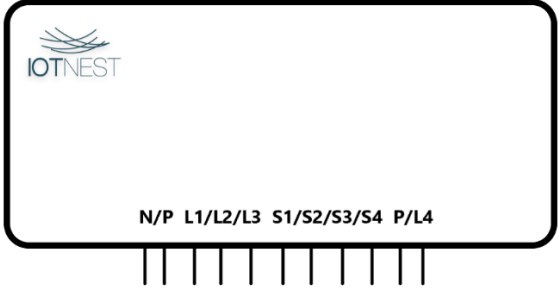


- Switch with regulator



Different Connections

4 Node configurations

<p>Alpha</p> <ul style="list-style-type: none"> • 1 Fan (L1) with regulator(Max : 100W) • 3 Lights (L2, L3, L4) with On/OFF (Each load max : 250W) 	 <p>N = Neutral P = Phase S = Switch L = Load</p>
<p>Beta</p> <ul style="list-style-type: none"> • 4 Lights (L1, L2, L3, L4) with Dimmer (Each load max : 250W) 	
<p>Gamma</p> <ul style="list-style-type: none"> • 1 Fan (L1) with regulator (Max : 100W) • 2 Lights (L2, L3) with On/OFF (Each load max : 250W) • 1 AC (L4) with On/OFF (Max : 3000 W) 	

Steps for Configuration

1. Install the module behind the switchboard.
2. After the module is successfully installed, connect to the home router.
3. Phone Settings > WiFi Settings > Select IOTxxxxxxx > Connect to the WiFi.
4. Your module is now connected to your WiFi.

Configuring the Device

[Download the IOT NEST App](#)

For Android users

Search for IoT Nest app on Google play store and download the app



For Alexa users

Search for IOT NEST skill on Amazon store and link with Alexa



For iOS users

Search for IoT Nest app on App store and download the app



For Google Assistant users

Search for IOT NEST action on Google Actions



Operating IoT Nest App

1. Open the app and sign up with a new account.
2. Once the account is created ask IOT NEST team to assigned devices to your account.
3. After the device is assigned, a house will be seen on the Homepage of the IoT Nest app > Select the house > Select the room > Four devices will appear through which you can control and check the status.
4. You can rename the devices as per your convenience.
5. From the Homepage you can add a scheduler and scene as per your requirement.

Adding Scheduler

1. Home Page > Scheduler > Select house > Add Scheduler > Enter the specifications > Save > Toggle the scheduler to make it ON.
2. You can turn the scheduler OFF or delete the scheduler accordingly.

Adding Scenes

1. Home Page > Scene > Select House > Create Scene > Enter the Specifications > Save > Toggle the scheduler to make it ON.
2. You can turn the scenes Off or delete a scene accordingly.
3. You can also press Power OFF All Devices to shutdown all the ON devices at an instance.

Features of the App

- Device Control
- Alerts
- Scheduling
- Scenes
- Status Check

About IoT Nest

IOT NEST is a start-up in Ahmedabad, Gujarat which works with the aim of enhancing your day to day lifestyle by delivering a simpler, smarter, and a more convenient automation experience. Our mission is to automate every home, office, hotel and hospital with the best technology and user experience out there.

Contact for Technical Support

Tel No.: +91-81284-26080

Email ID: contact@iot-nest.com